

INTRODUCTION

IDENTIFICATION OF COMPONENTS

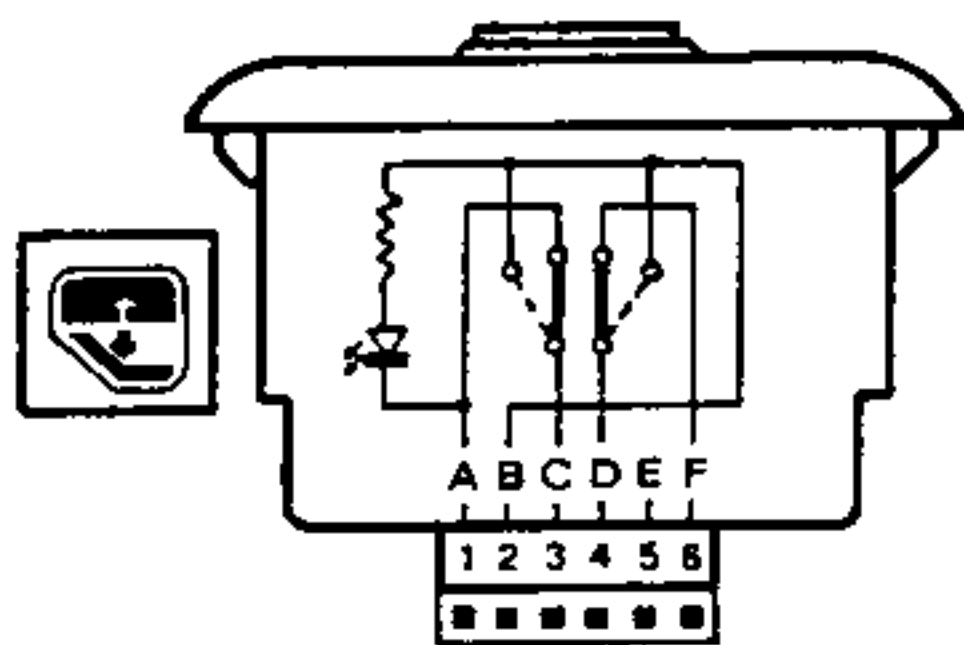
The aim of this manual is to facilitate the search for the required components and their relative connections in order to be able to identify any faults.

For clarity each electrical subsystem, as for example the starting system, heated rear window, main beam lights etc., are described separately following 3 distinct paragraphs:

- **Wiring diagram** arranged in order to facilitate component identification and the relative connections.

The components (shown following a lay-out that mirrors the real-life situation) are aligned on the outside edge of the diagram and sometimes a symbol place next to the component identifies its function.

Example:

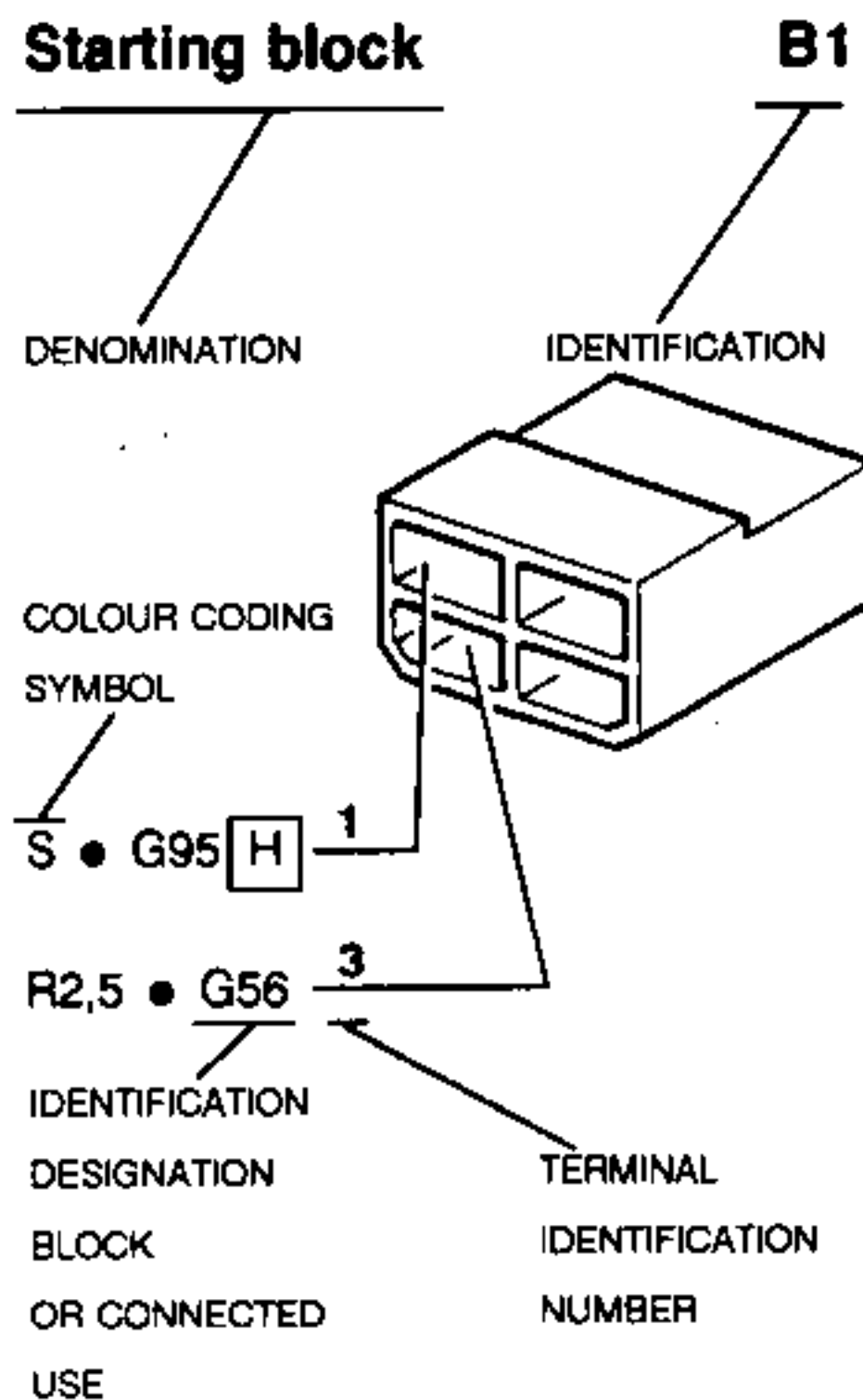


B21

Front right power window control switch.

- **Wiring**, illustrates the arrangement of the wires and connectors on the car and also the position of the various electrical components shown with the use of lenses.
- **Connectors**, shown in charts that give information as to the nature and destination of wires connected to them according

to the following example:



Each component is identified by a reference designation composed of a letter and a number (e.g.: B1). The letter identifies component type according to the following symbols:

- A** Starting - Recharging
- B** Manual electric controls
- C** Instruments
- D** Warning lamps
- E** External lights
- F** Interior lights
- G** Fuseboxes - connectors - earths
- H** Switches
- I** Relays
- L** Senders
- M** Solenoids - solenoid valves
- N** Electronic devices - intermittences - timers
- O** Ancillary equipment
- P** Electric motors
- Q** Heater/ventilation - air conditioning system
- R** Safety devices
- S** Electronic fuel injection
- T** Diagnosis

The key for all the components is given under the specific group.

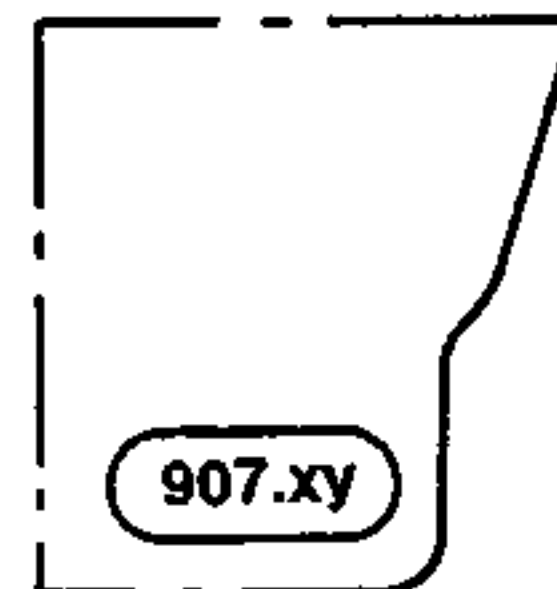
Variations

Each wiring diagram may be applicable to more than more than one model in the 33 range.

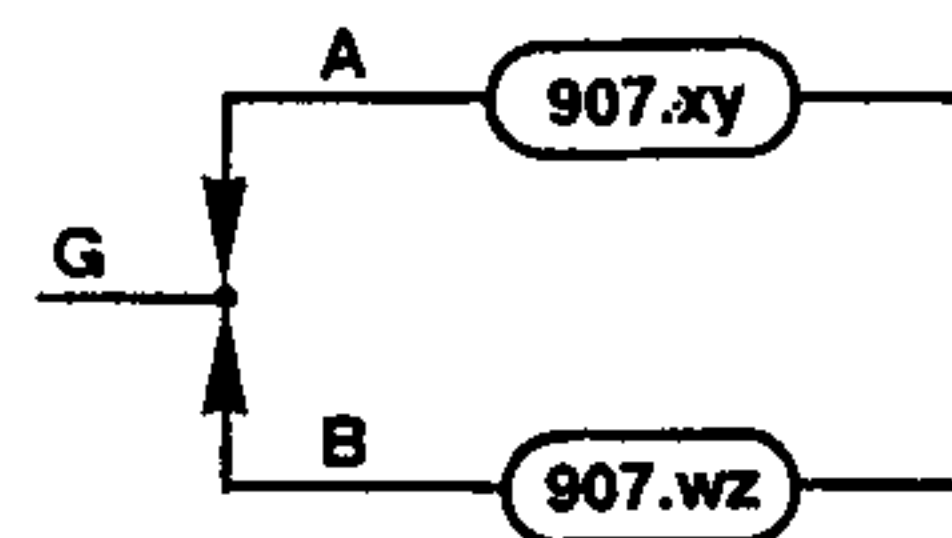
In cases where the different versions require variations in the electrical system, the wiring diagram shows each variation and where necessary duplicates the part of the circuit affected.

Any variations present between models is given in accordance with the following symbols:

- The dashed line and circled point on the diagrams, the areas containing the specific variations for the vehicle indicated with "907.xy".



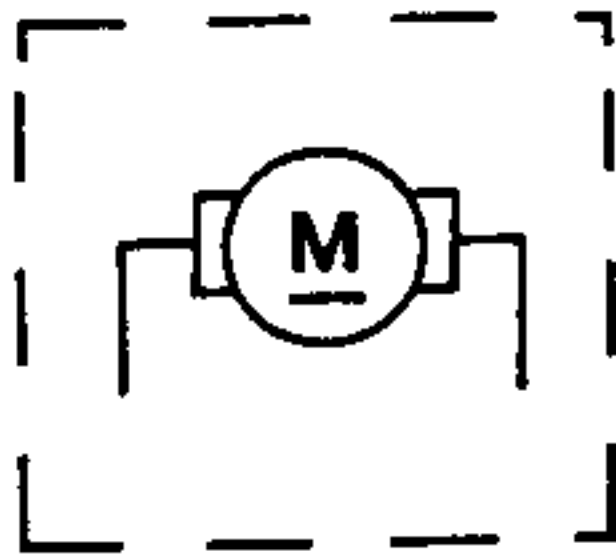
- The connection identifies two wiring variations, given as an alternative and connected in the same fashion. The variations refer to the models indicated with "907.xy" and "907.wz" respectively.



ELECTRICAL SYSTEM

Components fitted upon request

In the wiring diagrams a dashed line encloses the components that can be fitted upon request.



IDENTIFICATION OF MODELS

The models in the 33 range dealt with in this group can be identified by way of the following tables:

MODEL 33

907.A1	33 1.7 IE
907.A1A Δ	33 1.7 IE
907.A1D	33 1.7 IE 4x4
907.A1E Δ	33 1.7 IE 4x4
907.A1B	33 Boxer 16V
907.A1C Δ	33 Boxer 16V

SPORT WAGON MODELS

907.B1	SPORT WAGON 1.7 IE
907.B1A Δ	SPORT WAGON 1.7 IE
907.B1D	SPORT WAGON 1.7 IE 4x4
907.B1E Δ	SPORT WAGON 1.7 IE 4x4

Δ Vehicles with catalytic converter.

The wiring diagrams for the **Sport Wagon** are identical to those of the 33 models of equal motorization.

For this reason, apart from specific indications they will be identified using a single system of symbols following the 33 model which is:

907.A1 for the 33 1.7 IE - SPORT WAGON 1.7 IE versions;

907.A1D for the 33 1.7 IE 4x4 - SPORT WAGON 1.7 IE 4x4 versions.

CABLE IDENTIFICATION

A code composed of one or more letters and a number (e.g.: BN!) is marked on the end of each cable.

The letters identify the colour of the cable and the numbers indicate its thickness (**N.B. The cable section not indicated is 0.5 mm²**).

For convenience the names of the colours have been abbreviated.

The list of these abbreviations is given below:

A	Light-blue
AB	Light-blue white
AG	Light-blue yellow
AN	Light-blue black
AR	Light-blue red
B	White
BN	White black
BR	White red
BL	Blue

BLN	Blue black
BLR	Blue red
Br	Dark brown
C	Amber
CB	Amber white
CN	Amber black
G	Yellow
GB	Yellow white
GN	Yellow black
GR	Yellow red
GV	Yellow green
H	Grey
HG	Grey yellow
HN	Grey black
HR	Grey red
HV	Grey green
M	Brown
MB	Brown white
MG	Brown yellow
N	Black
No	Hazel brown
R	Red
RN	Red black
S	Pink
SB	Pink white
SN	Pink black
V	Green
VB	Green white
VN	Green black
Z	Purple
ZB	Purple white
ZN	Purple black

KEY

A: STARTING - RECHARGING

A1	Battery
A2	Alternator
A3	Alternator with integral electronic voltage regulator
A4	Voltage regulator
A5	Ignition distributor
A5a	Ignition distributor A
A5b	Ignition distributor B
A6	Impulse generator
A7	Rotor
A8	Ignition coil
A8a	Ignition coil A
A8b	Ignition coil B
A9	Coil resistance
A10	2-way connector for coil
A11	Starter motor
A12	Spark plugs
A13	Pre-heating glow plugs
A14	Alternator cable terminal board

B: MANUAL ELECTRIC CONTROLS

B1	Ignition switch
B2	Windscreen wiper control
B3	Windscreen and/or headlight washer pump control
B4	Control for side lights, flashing, low/high beam headlights
B5	Horn control switch
B6	Direction indicator light control
B7	Low beam flashing control switch
B8	High beam flashing control switch
B9	Heated rear window control switch
B10	Fog light control switch
B11	Rear fog light control switch
B12	Road hazard lights control switch
B13	Passenger compartment front roof lamp control switch
B14	Passenger compartment rear roof lamp control switch
B15	Passenger compartment roof lamp control switch
B16	Cluster lighting dimmer rheostat
B17	Gearbox oil level warning light switch
B18	Front right door-locking control switch
B19	Front left door-locking control switch
B20	Interior door-locking switch
B21	Front right power window control switch
B22	Front left power window control switch
B23	Rear right power window control switch
B24	Rear left power window control switch
B25	Rear power window inhibitor switch
B26	Rear power window and rear cigar lighter inhibitor switch
B27	Front seat height adjustment control switch
B28	Front left backrest adjustment control switch
B29	Front right backrest adjustment control switch
B30	Door electric rear view mirror control switch
B31	Electric aerial control switch
B32	Windscreen washer pump control
B33	Front spot light switch
B34	Rear left spot light switch
B35	Rear right spot light switch
B36	Right door rear view mirror double control switch
B37	Parking light control switch
B38	Rear window wiper control switch
B39	Trip odometer recall microswitch
B40	Trip odometer reset microswitch
B41	VF electronic rheostat
B42	Lamp dimmer rheostat
B43	Internal control switch for door unlock
B44	Rear spot light control switch
B45	Recognition light control switch

B46	Two-tone horn control switch
B47	Sunroof motor control switch
B48	Interphone system control switch
B49	Talk/listen switch
B50	Siren control switch
B51	Driver's seat heater control switch
B52	Front right seat longitudinal adjusting switch
B53	Front power window full acting switch
B54	Front left seat longitudinal adjusting switch
B55	Luggage compartment opening control switch
B56	Rear right seat adjusting device switch
B57	Rear right seat heating device switch
B58	Rear left seat adjusting device switch
B59	Rear left seat heating device switch
B60	Cluster warning light operation check push-button
B61	Fuel filler cap opening switch
B62	Front right seat heating device switch
B63	Front right seat height adjusting switch
B64	Cruise control "OFF", "RESUME" switch
B65	Cruise control "SET ACC.", "SET DEC." switch
B66	Position/Hazard/Fuel flap light control push-button panel
B67	Controlled damping suspension shock-absorber control board
B68	Combination switch unit
B69	Headlight aiming control device
B70	Rear windscreen washer-headlight washer windscreen washer pump control
B71	Front electric window double control switch (LH and RH)
B72	Four-wheel drive control switch
B73	Vehicle lift switch
B74	Vehicle lower switch
B75	Driver's seat memory panel
B76	Front right-hand seat lumbar support regulation switch
B77	Front left-hand seat lumbar support regulation switch
B78	Front right-hand seat rear tilt regulation switch
B79	Front left-hand seat rear tilt regulation switch
B80	Front right-hand seat vertical - longitudinal regulation switch
B81	Front left-hand seat vertical - longitudinal regulation switch
B82	Front right-hand seat front tilt regulation switch
B83	Front left-hand seat front tilt regulation switch
B84	Front right-hand rear tilt, front tilt, longitudinal and vertical regulation switch unit
B85	Front left-hand rear tilt, front tilt, longitudinal and vertical regulation switch unit
B86	Front left-hand seat heating switch
B87	Boot release switch with glovebox light
B88	Light dimmer rheostat (DIM-DIP)

C: INSTRUMENTS

C1	Electronic rev-counter
C2	Electronic speedometer
C3	Voltmeter
C4	Fuel level gauge
C5	Oil pressure gauge
C6	Coolant temperature gauge
C7	Clock
C8	Space free for instrument
C9	Turbo charger air pressure gauge
C10	Cluster (*)
C11	ALFA ROMEO Control display
C12	Performance gauge display
C13	Optoelectronic cluster
C14	Warning lamp panel
C15	Door lock actuated LED
C16	Display check with clock
C17	Odometer module on instrument panel

KEY

D: WARNING LAMPS

D1	Alternator warning lamp
D2	Direction indicator light warning lamp
D3	Tail light warning lamp
D4	High beam warning lamp
D5	Brake fluid low level warning lamp
D6	Heater/ventilation warning lamp
D7	Handbrake warning lamp
D8	Fuel reserve warning lamp
D9	Choke warning lamp
D10	Handbrake brake fluid level warning lamp
D11	Engine oil minimum pressure warning lamp
D12	Pre-heating glow plug warning lamp
D13	Engine coolant maximum temperature warning lamp
D14	Maximum air pressure warning lamp
D15	Low fuel pressure warning light
D16	Warning lamp free
D17	Gear position warning lamp
D18	Manual injection advance warning lamp
D19	Brake pad wear warning lamp
D20	Rear drive engagement warning lamp
D21	ALFA ROMEO Control warning lamp
D22	Heated rear window warning lamp
D23	Hazard lights warning lamp
D24	Rear fog light warning lamp
D25	Fog light warning lamp
D26	Injection diagnosis warning lamp
D27	ABS System warning lamp
D28	Recognition light warning lamp
D29	Ignition/anti-knock diagnosis warning lamp
D30	Gearbox oil level warning lamp
D31	Antitheft LED
D32	Four-wheel drive system malfunction warning light
D33	Four-wheel drive engaged warning light
D34	AIR-BUG warning lamp
D35	Vehicle lift warning lamp
D36	Right direction indicators and hazard warning lights warning lamp
D37	Left direction indicators and hazard warning lights warning lamp
D38	"Sidelights on" warning light
D39	"Brake light on" warning light
D40	"Instrument panel warning light on" warning light
D41	Low engine oil level warning light
D42	Low engine coolant warning light

E: EXTERNAL LIGHTS

E1	Front direction indicator light
E2	Front position light
E3	Front direction indicator and position light
E4	Front side marker light
E5	Low beam light
E6	Low beam with incorporated side light
E7	High beam light
E8	Low and high beam light
E9	Side indicator light
E10	Fog light
E11	Rear direction indicator light
E12	Rear side marker light
E13	Rear side light
E14	Reverse light
E15	Stop light
E16	Rear fog light
E17	Numberplate light
E18	Stop and rear side light
E19	Rear right light
E20	Rear left light
E21	Inspection light
E22	Recognition light

E23	Front right optical unit
E24	Front left optical unit
E25	Right rear light (fixed part)
E26	Left rear light (fixed part)
E27	Central rear light (mobile)
E28	Third stop light
E29	Supplementary dipped beam light
E30	Rear central foglight/right-hand reversing light
E31	Rear central foglight/left-hand reversing light

F: INTERNAL LIGHTS

F1	Passenger compartment front roof lamp
F2	Passenger compartment rear roof lamp
F3	Passenger compartment roof lamp
F4	Engine compartment lamp
F5	Luggage compartment lamp
F6	Door open signalling light
F7	Fuse light
F8	Heater/ventilation controls lighting lamp
F9	Glovebox light
F10	Ashtray light
F11	Map light
F12	Cluster light
F13	Front spot light
F14	Rear right spot light
F15	Rear spot light
F16	Ignition switch light
F17	Switch illumination light
F18	Rear spot light
F19	Passenger compartment right-side courtesy light
F20	Passenger compartment left-side courtesy light
F21	Right-side spot light with switch
F22	Left-side spot light with switch
F23	Right inner side footboard courtesy light
F24	Left inner side footboard courtesy light
F25	Courtesy mirror light on sun visor
F26	Gear shift lever plate light
F27	Light signalling front-right door opened
F28	Light signalling front-left door opened
F29	Light signalling rear-right door opened
F30	Light signalling rear-left door opened
F31	Front-right door opened ground light
F32	Front-left door opened ground light
F33	Rear-right door opened ground light
F34	Rear-right door opened ground light
F35	Central roof lamp with passenger compartment lighting controls
F36	Courtesy light with controls on rear right upright
F37	Courtesy light with controls on rear left upright
F38	Automatic gear control light
F39	Central air vent light
F40	Right-hand air vent light
F41	Tunnel air vent light
F42	Left-hand air vent light
F43	Seat control panel light
F44	Central passenger compartment rooflight

G: FUSE BOXES - CONNECTIONS - GROUNDS

G1	Fusebox
G2	Auxiliary fuse box
G3	Fuse box terminal
G4	Flying fuse box
G5	Multiple connection
G6	Multiple connection B - cluster
G7	Multiple connection R - cluster
G8	Single connection
G9	Connection between front left door wiring and door mirror switch

KEY

G: FUSEBOX - CONNECTIONS - GROUNDS (Continued)

- G10 Connection between front right door wiring and door mirror switch
- G11 Connection between board wiring and rear wiring
- G12 Connection between board wiring and mirror switch
- G13 Connection between board wiring and console wiring
- G14 3-way connection between board wiring and door wiring
- G15 2-way connection between board wiring and door wiring
- G16 6-way connection between board wiring and door wiring
- G17 Connection between board wiring and front right door wiring
- G18 Connection between board wiring and front left door wiring
- G19 Connection between board wiring and passenger compartment roof lamp
- G20 Connection for front right door-locking motor
- G21a Connection for front right door-wiring
- G21b Connection for front right door-wiring
- G22 Connection for front left door-locking motor
- G23a Connection for front left door wiring
- G23b Connection for front left door wiring
- G24 Connection for rear right door-locking motor
- G25 Connection for rear right door wiring
- G26 Connection for rear left door-locking motor
- G27 Connection for rear left door wiring
- G28 Connection between front right door wiring and power window switch
- G28a Connection between rear right door wiring and power window switch
- G29 Connection between door-locking wiring and rear power windows
- G30 Connection for power windows and door lock
- G31 Connection between front left door wiring and power window switch
- G32 Connection between console wiring and rear right door wiring
- G33 Connection between console wiring and rear left door wiring
- G34 Connection for power window supply cable
- G35 Connection between rear wiring and rear right side light wiring
- G36 Connection for power window switch cables
- G37 Connection for multiswitch, on steering column
- G38 Connection for air conditioner wiring
- G39 Connection for clock wiring
- G40 Connection for door-locking control unit
- G41 Speedometer-rev counter sensor device connection
- G42 Connection between alternator and min engine oil pressure switch
- G43 Connection for heater/ventilation control cables
- G44 Connection for rear fog lamp
- G45 Connection for headlight wash-wipe cables
- G46 Connection for headlights
- G47 Connection for right-side repeater cables
- G48 Connection between electric door mirror and left-side repeater cables
- G49 Connection available
- G50 Presetting for loud speaker cables
- G51 Presetting for car radio cables
- G52 Fuse box ground
- G53 Engine compartment ground
- G53a Engine compartment ground - right side
- G53b Engine compartment ground - left side
- G54 Passenger compartment ground
- G54a Passenger compartment ground - right side
- G54b Passenger compartment ground - left side
- G55 Hood ledge panel ground
- G56 Branch terminal board
- G57 Presetting for fuel cut-off solenoid valve
- G58 Connection for cigar lighter
- G59 Connection for electric rear-view door mirror
- G60 Injection wiring ground
- G61 Connection for ignition coil
- G62 Clutch switch connection
- G63 Rear ground
- G63a Rear right ground
- G63b Rear left ground
- G64 Connection for Trip Computer - clock
- G65 Coaxial cable
- G66 Motronic wiring ground
- G67 Motronic connection
- G68 Connection A with board wiring
- G69 Connection B with board wiring
- G70 Connection C with board wiring
- G71 Connection for warning lamp on instruments
- G72 Connection for seat back adjustment wiring
- G73 Connection for rear services
- G73a Connection for rear right accessories
- G73b Connection for rear left accessories
- G73c Rear services connection (4-way)
- G73d Rear services connection (4-way for Alfa Control)
- G74 Connection ALFA ROMEO Control Telelevel rear wiring
- G75 Connection between right and left roof panel services
- G76 Connection for roof panel - services - right side
- G77 Connection for roof panel services - left side
- G78 Connection for front door services wiring
- G79 Connection for rear door services wiring
- G80 Connection for board wiring
- G81 Connection for front left seat back adjustment
- G82 Connection for front right seat back adjustment
- G83 Rear connector for fast idle device
- G84 Console cable connector
- G84a Central panel 15-way cable connection
- G84b Central panel 12-way cable connection
- G85 Front accessories connector
- G86 Connection for passenger compartment roof lamp
- G87 Connection for rear door-locking motors
- G88 Connection for rear lights
- G89 Intermediate connection A
- G90 Intermediate connection B
- G91 Rear door sensors ground
- G92 Luggage compartment ground
- G93 Windscreen frame upper cross member ground
- G94 Engine compartment connector
- G94a 10-way connection for engine compartment
- G94b 8-way connection for engine compartment
- G94c Engine compartment connection - right side
- G94d Engine compartment connection - left side
- G95 Centralized fuse box
- G95A Connection for switches
- G95B Connection for switches
- G95C Connection for cluster warning lamps
- G95D Connection for ALFA ROMEO Control
- G95E Connection for console
- G95F Connection for fog light - rear fog light
- G95G Connection for combination switch
- G95H Connection for LH interface
- G95I Connection for RH interface
- G95L Connection for clock - rheostats
- G95M Connection for sunroof
- G95N Connection for battery
- G95O Connection for ignition switch
- G95P Connection for door services
- G95Q Connection for performance gauge
- G95R Connection for heated rear window
- G95S Connection for cluster
- G95V Fuses
- G96 Single connector for ALFA ROMEO Control - cluster
- G97 Connection for left doors services
- G98 Connection for right doors services
- G99a Connection for engine dashboard A
- G99b Connection for engine dashboard B

KEY

G: FUSEBOX - CONNECTIONS - GROUNDS (Continued)

- G99c Connection for engine dashboard C
- G99d Connection for engine dashboard D
- G99e Connection for engine dashboard E
- G100 Connection for console - doors wiring
- G101 Trip Computer connection
- G102 Optoelectronic cluster connector
- G103 Connection for grounds to brake fluid tank
- G104 Connection for roof panel left upright
- G105 Connection for ashtray lamp
- G106 Seat grounds
- G107 Connection for fuel pump
- G108 CEM wiring ground
- G109 Injection wiring connection
- G110 Thermostat wiring ground
- G111 Connection for dashboard instruments wiring
- G112a Connection A for roof wiring
- G112b Connection B for roof wiring
- G112c Connection C for roof wiring
- G112d Connection D for roof wiring
- G112e Connection E for roof wiring
- G113 Connection for front left fender
- G114 Connection for outside temperature sensor
- G115 Connection for tow bar vehicle socket
- G116 Connection for tow bar trailer plug
- G117 Connection for engine compartment lamp
- G118 Connection for luggage compartment lamp
- G119 Courtesy mirror light connection
- G120 Map light connection
- G121 Car electric system connection
- G122 Ignition wiring connection
- G123 Pedal-board ground
- G124 ABS system connection
- G125 ABS system fuse box
- G126 ABS system electromagnetic switch protection fuse
- G127 Recognition light fuse box
- G128 Transceiver fuse box
- G129 Two-tone horn left-side engine compartment connection
- G130 Switch connection
- G131 Ground on upper cover
- G132 Ground on manifold
- G133a Electronic ignition-injection connection wiring A
- G133b Electronic ignition-injection connection wiring B
- G134 Front left upright connection
- G135 Rear window back-shelf wiring connection
- G136 Front side-marker intermediate connection
- G137 Injection supply wiring connection
- G138 Combination switch headlight unit connection
- G139 Interphone system control unit connection
- G140 Fuel pump intermediate connection to service panel
- G141 Rear side-marker intermediate connection
- G142 Engine service connections
- G143 Service central compartment ground
- G144 Boot lid wiring connection
- G145 Intermediate connection for injection switch cables
- G146 Tachymeter connection
- G147 Rev-counter sensor connection
- G148 Under-dashboard ground
- G149 Board wiring with engine compartment right-side wiring connection
- G150 Board wiring with engine compartment left-side wiring connection
- G150a Additional wiring connection header with left-hand engine compartment wiring
- G151 Board wiring with engine service compartment wiring connection
- G152 Glow plug pre-heating timing fuse (50a)
- G153 Ground under diesel filter
- G154 Engine wiring - board wiring connection
- G155a Right seat adjustment wiring connection
- G155b Left seat adjustment wiring connection
- G156 Front-right door wiring - front-right door sensor connection
- G157 Front-left door wiring - front-left door sensor connection
- G158 Rear-right door wiring - rear-right door sensor connection
- G159 Rear-left door wiring - rear-left door sensor connection
- G160 Front-right door wiring - ground lighting lamp connection
- G161 Front-left door wiring - ground lighting lamp connection
- G162 Rear-right door wiring - ground lighting lamp connection
- G163 Rear-left door wiring - ground lighting lamp connection
- G164 Board wiring - conditioning unit wiring connection
- G165 Door service wiring - conditioning unit wiring connection
- G166 Front door wiring - front right door wiring connection
- G167 Front door wiring - rear right wiring connection
- G168 Front door wiring - front right door wiring connection
- G168a Front door wiring and rear left door wiring one-way connection
- G169 Front door wiring - rear left wiring connection
- G170 Board wiring - rear right wiring connection
- G171 Board wiring - rear left wiring connection
- G172 Door wiring - sunroof connection
- G173 Console wiring - front door wiring connection
- G174 Steering column support ground
- G175 Board wiring - fog light wiring connection
- G176 Roof panel ground
- G177 Door service wiring - board wiring connection
- G178 Preset connection for seat height adjustment switch
- G179 Rear left wiring - roof lamp wiring connection
- G180 Rear left wiring - front door wiring connection
- G181 Rear left wiring - rear console wiring connection
- G182 Console area ground
- G183 Rear console wiring - front right seat connection
- G184 Rear console wiring - front left seat connection
- G185 Luggage compartment left-side ground
- G186 Luggage compartment right-side ground
- G187 Single connection in rear left wiring
- G188 Single connection in rear right wiring
- G189 Rear seat wiring - rear console wiring connection
- G190 Rear seat wiring connection
- G191 Rear left wiring - rear left door wiring connection
- G192 Preset connection for trailer stop signal
- G193 Preset connection radio aerial
- G194 Rear left wiring - central side light wiring connection
- G195 Preset connection for rear left loud-speaker
- G196 Preset connection for rear right loud-speaker
- G197 Rear right wiring - rear right door wiring connection
- G198 Rear right wiring - boot lid lock wiring connection
- G199 Rear right door wiring connection
- G200 Preset connection for radio headphones control unit
- G201 Heated rear window fuse (30A)
- G202 ABS System ground
- G203 Rear right wiring - front door wiring connection
- G204 Front right sensor connection - ABS
- G205 Front left sensor connection - ABS
- G206 Rear right sensor connection - ABS
- G207 Rear left sensor connection - ABS
- G208 Front left power window connection
- G209 Rear right wiring - rear console wiring connection
- G210 Door wiring - rear console wiring connection
- G211 Cluster intermediate connection for gearbox oil level signal
- G212 Cluster internal connection for ABS warning light signals and seat belts
- G213 Cluster internal connection for ABS warning light, seat belts and gearbox oil level
- G214 Instrument connection for ABS warning light signals and seat belts (CA)
- G215 Instrument internal connection for ABS warning light signals and seat belts
- G216 Preset connection for power window control unit
- G217 Preset connection for front left loud-speaker
- G218 Preset connection for front right loud-speaker
- G219 Sunroof connection

G: FUSEBOX - CONNECTIONS - GROUNDS (Continued)

- G220 Coil power module connection for rev-counter
 G221 Jumper connection for power window wiring
 G222 Cruise Control Actuator - Cruise Control CU connection
 G223 Preset connection for Cruise Control clutch push-button
 G224a Right passive seat belt wiring connection
 G224b Left passive seat belt wiring connection
 G225a Right passive seat belt control unit switch wiring connection
 G225b Left passive seat belt control unit switch wiring connection
 G226a Right passive seat belt wiring ground connection
 G226b Left passive seat belt wiring ground connection
 G227b Under-fender services wiring connection
 G228 Board wiring - cooling electric fan motor wiring connection
 G229 Starting signal and "Over-boost" warning light wiring connection
 G230 Ground on starting distributor bracket
 G231 Board wiring - automatic transmission wiring connection
 G232 Jumper connection preset for Motronic control unit (manual/automatic transmission versions)
 G233 Board wiring - automatic transmission gear-lever wiring connection
 G234 Interphone control unit connection A
 G235 Interphone control unit connection B
 G236 Interphone circuit panel connection A
 G237 Interphone circuit panel connection B
 G238 Board wiring - day-light lamps
 G239 Car radio/car telephone CU relay - 15A
 G240 Front seats relay - 20A
 G241 Board wiring - antitheft wiring connection
 G242 Board wiring Cruise Control wiring connection
 G243 Board wiring - rear cabinet wiring single connection
 G244 Board wiring - rear cabinet wiring connection
 G245 Rear - right antitheft wiring connection
 G246 Rear seat adjustment fuse 20A
 G247 Rear electric window fuse 30A
 G248 Antitheft wiring - rear right wiring connection
 G249 Antitheft wiring - cabinet wiring connection
 G250 Board wiring - C.A. right side engine wiring connections
 G251 Shock absorber connection clinching
 G252a Board wiring - rear right wiring for shock-absorber system connection
 G252b Board wiring - rear right wiring for shock-absorber system connection
 G252c Board wiring - rear right wiring for shock-absorber system connection
 G252d Board wiring - rear right wiring for shock-absorber system connection
 G253 Rear wiring - left wiring - climatization wiring connection
 G254 Engine electric fan fuse 40A
 G255 Climatization electric fan fuse 40A
 G256 Rear left wiring - antitheft connection
 G257 Interlock SHIFT CU fuse 10A
 G258 Antitheft fuse 15A
 G259a Automatic transmission clinching
 G259b Automatic transmission clinching
 G260 Front cabinet wiring - rear cabinet wiring connection
 G261 Sunroof fuses
 G262 Door locking - electric window clinching
 G263 Front electric windows clinching
 G264 Rear electric window enabling and closing crimping connection
 G265 Left-hand front under-mudguard wiring connection
 G265a Front right-hand wiring connector under wheel housing (3-way)
 G265b Front right-hand wiring connector under wheel housing (2-way)
 G266 Boot hatch ground
 G267 Engine block ground
 G268 Heated seats and handbrake switch-door locks wiring connection
 G269 Glovebox compartment light connection
 G270a Dashboard wiring - four-wheel drive wiring (four-way) connection
 G270b Dashboard wiring - four-wheel drive wiring (six-way) connection
 G271 Electric fan operation check connection
 G272 ABS hydraulic group connection
 G273 ABS control unit connection
 G275 ABS hydraulic group ground connection
 G276 Four-wheel drive intermediate wiring connection
 G277 Intermediate Alfa Romeo Control unit - instrument connector
 G278 Brake pad wear sensor connector
 G279 Brake fluid reservoir switch connector
 G280 Radio intermediate wiring connector
 G281 Free connector for luggage compartment light
 G282 Earth on front tunnel
 G283 Earth on left service compartment
 G284A Rear right passenger compartment paneling earth
 G284B Rear left passenger compartment paneling earth
 G285 Provision for anti-theft system connector
 G286 Dash wiring - door wiring four-way connection
 G287 Injection wiring - engine coolant temperature sensor wiring connection
 G288 Injection wiring evaporation solenoid valve wiring connection
 G289 Connection for front right-hand speaker - high tones
 G290 Connection for front right-hand speaker - low tones
 G291 Connection for front left-hand speaker - high tones
 G292 Connection for front left-hand speaker - low tones
 G293 Connection between engine services wiring - engine compartment wiring - left-hand side
 G294 Earth on intake manifold
 G295 Rear console wiring - driver's side seat memory wiring connection
 G296 Memory wiring - driver's side longitudinal seat regulation motor wiring connection
 G297a Memory wiring - driver's side seat control panel wiring connection
 G297b Memory wiring - driver's seat control panel wiring connection
 G297c Memory wiring - driver's seat control panel wiring connection
 G298 Memory wiring - driver's seat lumbar and back regulation wiring connection
 G299a Front left-hand seat control pad relay unit - control pad wiring connection
 G299b Front right-hand seat control pad relay unit - control pad wiring connection
 G300 Front left-hand seat warming pad clinching
 G301 Front right-hand seat warming pad clinching
 G302 Driver's seat earth cable clinching
 G303 Control pad wiring - driver's seat lumbar support and back regulation wiring connection
 G304 Injection wiring intermediate clinching
 G305 Electric seats and rear power window connection
 G306 Right-hand engine wiring/engine wiring connection
 G307 Luggage compartment/rear wiring connection
 G308 Connector for engine sensors
 G309a Controlled damping suspension system A
 G309b Controlled damping suspension system A
 G310 Front right-hand power window fuse
 G311 Front left-hand power window fuse
 G312 Fuse for headlight washers
 G313 Air conditioner supplementary wiring connection
 G314a Engine wiring/air conditioner A wiring connection
 G314b Engine wiring/air conditioner B wiring connection
 G315a Left-hand seat regulation motor connection
 G315b Right-hand seat regulation motor connection
 G316 Engine r.p.m. and timing sensor sheath earth
 G317 Engine - injection wiring rev counter connection
 G318 Earth on gearbox
 G319 Engine oil level wiring - engine services wiring connection
 G320 Rear speaker cable connection

KEY

G: FUSEBOX - CONNECTIONS - GROUNDS (Continued)

- G321a Air conditioner control wiring - microswitch wiring connection (6-way)
- G321b Air conditioner control wiring - microswitch wiring connection (3-way)
- G322 Air conditioner control wiring - dashboard wiring connection
- G323 Air conditioner control wiring - electric fan wiring for condensers connection
- G324 Left-hand seat warming pad spiral cable - heated seats ns door locks wiring connection
- G325 Right-hand seat warming pad spiral cable - heated seats ns door locks wiring connection
- G326 Dashboard wiring - front foglight/headlight washer wiring connection
- G327 Speedometer sensor connection
- G328 Dashboard wiring - rooflight wiring connection
- G329 Dashboard wiring - injection wiring connection
- G330 Injection wiring - electric fan wiring for condensers connection
- G331 Ultrasound soldering connection
- G332 Alternator connection for recharging signal
- G333 DIM-DIP fuse
- G334 Fuel level sender connection
- G335 Engine services with E.G.R. valve power supply clinching

H: SWITCHES

- H1 Handbrake switch
- H2 Reversing light switch
- H3 Stop light switch
- H4 Courtesy light switch on passenger compartment upright
- H5 Front left door open indicator switch
- H6 Front right door open indicator switch
- H7 Rear left door open indicator switch
- H8 Rear right door open indicator switch
- H9 Front right brake pad switch
- H10 Front left brake pad switch
- H11 Rear right brake pad switch
- H12 Rear left brake pad switch
- H13 Choke switch
- H14 Injection advance switch
- H15 Gearbox oil low level switch (magnetic bulb)
- H16 Starting and reverse inhibitor switch
- H17 Brake fluid minimum level check switch
- H18 Fast-idle switch in gearbox
- H19 Low fuel pressure switch
- H20 Inertia switch
- H21 Clutch pedal fast-idle switch
- H22 Ignition microswitch
- H23 Engine compartment lamp switch
- H24 Luggage compartment lamp switch
- H25 Glovebox light switch
- H26 Contact/switch on rear door for rear window wiper
- H27 Contact/switch on rear door for heated rear window
- H28 Carburetor contact/switch
- H29 Switch for rear drive engagement warning lamp
- H30 Load switch
- H31 Switch for idle r.p.m. adjusting screw on carburetor
- H32 Microswitch on carburetor for inserting timing variator
- H33 Number plate contact/switch
- H34 ABS System brake fluid tank switch
- H35 Fuel pre-heating filter thermal switch
- H36 Diesel post-heating microswitch
- H37 Clutch pedal switch
- H38 Rear right seat microswitch
- H39 Rear left seat microswitch
- H40 Rear right door inhibitor switch for rear seats
- H41 Rear left door inhibitor switch for rear seats
- H42 Accelerator throttle valve maximum opening switch
- H43 Door-locking engaged signalling microswitch

- H44 Engine hood antitheft device switch
- H45 Cruise Control clutch and brake switch
- H46 Gearbox switch for controlled damping suspension shock-absorber
- H47 Engine throttle microswitch for controlled damping suspension shock-absorber
- H48 Lefthand door switch for electric windows - sunroof automatic closing
- H49 Auxiliary stop lights switch
- H50 Seat end-run switch
- H51 Sunroof stop limit switch

I: RELAYS

- I1 Engine cooling electric fan relay
- I2 Heated rear window relay
- I3 Horn relay
- I4 Headlight wiper relay
- I5 Auxiliary relay for headlight wiper timer
- I6 Fast-idle relay
- I7 Fuel hose closing relay
- I8 Relay excluding retarded rotor arm
- I9 Glow plug relay
- I10 Choke inhibitor relay
- I11 Front power window and seat raising relay
- I12 Front power window relay
- I13 Rear power window relay
- I14 Brake fluid automatic warning light control relay
- I15 Low fuel pressure warning light relay
- I16 Headlight relay
- I17 Fog light relay
- I18 Double contact relay
- I19 Headlight washer pump relay
- I20 Beam change over relay
- I21 Full beam exclusion relay
- I22 Low beam exclusion relay
- I23 Supplementary engine cooling electric fan relay
- I24 Direction and hazard lights relay
- I25 Rear fog light relay
- I26 Roof lamp relay
- I27 Seat height adjustment relay
- I28 Hazard lights relay
- I29 Fuel pump relay
- I30 Relay with CEM diode
- I31 Front power window/climatisation relay
- I32 Advance variation control unit relay
- I33 Carburetor microswitch relay
- I34 Rear fog light exclusion relay
- I35 Key-operated supply relay
- I36 Relay for brake wear and fluid level
- I37 ABS System control unit relay
- I38 ABS System auxiliary relay
- I39 Brake fluid level warning light relay
- I40 ABS System brake fluid electric pump relay
- I41 Two-tone hooter, horn relay
- I42 Two-tone hooter relay
- I43 Inspection light relay
- I44 Fuel pre-heating device relay
- I45 Outer mirror defrosting relay
- I46 Siren relay
- I47 Engine oil cooler electric fan relay
- I48 Instrument and AR control ignition key-controlled relay
- I49 Low-beam light relay
- I50 High-beam light relay
- I51 Electronic control unit power supply relay
- I52 Boot lid opening relay
- I53 Fuel filter cap opening relay
- I54 Rear right seat relay

KEY

I: RELAYS (Continued)

I55	Rear left seat relay
I56	Rear seat inhibitor relay
I57	ABS System electronic relay
I58	Sunroof - seat relay
I59	"OFF", "RESUME" Cruise Control switch auxiliary relay
I60	Outer mirror defrosting relay
I61	Petrol vapour motor pump relay
I62	Gear engaged signal relay (automatic transmission) for MOTRONIC control unit
I63	Oil radiator electric fan - automatic transmission relay
I64	Position light relay
I65	Foglight inhibitor relay
I66	Day-light insertion relay
I67	Day-light exclusion relay
I68	Water cooling auxiliary electric fan relay
I69	Stop switch relay
I70	Radio relay
I71	20 relay for shock-absorber
I72	Brake fluid tank relay
I73	Front electric window - door-locking relay
I74	Rear electric window - sunroof relay
I75	Electric window - sunroof closing relay
I76	Four-wheel drive supply relay
I77	Series/parallel relay (for cooling electric fans)
I78	Relay for heater blower 50A
I79	Supplementary relay for fog lamps
I80	Seat longitudinal end-run locking relay
I81	Brake pad wear relay
I82	Headlight flashing relay
I83	Relay for electric aerial
I84	Automatic closure relay
I85	Driver's seat memory relay
I86	Relay for driver's seat memory recall stop
I87	Front left-hand seat warming pad relay
I88	Front right-hand seat warming pad relay
I89	Rear foglight permit and front foglight exclusion relay
I90	DIM-DIP exclusion relay
I91	DIM-DIP cut-in relay
I92	K.S.B. relay

L: SENSORS

L1	Low fuel pressure switch
L2	Low oil pressure switch
L3	Max air pressure switch
L4	Thermal switch for engine cooling electromagnetic coupling
L5	Thermal switch for engine coolant max temperature
L6	Thermal switch for engine cooling electric fan
L7	Engine coolant temperature gauge sender
L8	Oil pressure gauge sender
L9	Fuel level gauge sender
L10	Sender for engine coolant temperature gauge and max temperature warning lamp contact
L11	Retarded rotor arm cut-out pressure switch
L12	Engine oil level sensor
L13	Windscreen washing liquid level sensor
L14	Engine coolant level sensor
L15	Fuel flow sensor
L16	Rev-counter pulse generator
L17	Speedometer pulse generator
L18	Load sender
L19	External temperature sensor
L20	Photoelectric cell
L21	Pierburg solenoid valve regulating the supercharging pressure

L22	Knocking sensor
L23	Potentiometer
L24	Engine coolant temperature sensor for ignition advance adjustment
L25	Thermal switch for engine coolant temperature
L26	Vacuum sensor
L27	Temperature sensor
L28	Front right brake sensor
L29	Front left brake sensor
L30	Rear right brake sensor
L31	Rear left brake sensor
L32	Turbo supercharger air pressure sensor sender
L33	Two-stage thermal contact
L34	Boot lid opened contact
L35	Thermometric switch
L36	Turbo supercharger maximum pressure safety sensor
L37	T.D.C. sensor
L38	Thermal switch for oil radiator electric fan - automatic transmission
L39	Automatic transmission oil maximum temperature sensor
L40	Steering angle sensor
L41	Oil pressure switch for controlled damping suspension shock-absorber
L42	Tooth mesh control sensor
L43	Oil pressure switch for vehicle lift warning light
L44	Engine oil temperature sender
L45	K.S.B. water temperature sender
L46	E.G.R. control solenoid valve
L47	E.G.R. valve potentiometer

M: SOLENOIDS - SOLENOID VALVES

M1	Fuel cut-off solenoid valve
M2	Injection pump solenoid valve
M3	Solenoid with injection pump fuel cut-off microswitch
M4	Fast-idle solenoid
M5	Engine stop solenoid
M6	Fuel pipe closing electromagnet
M7	Door opening/closing electromagnet
M8	Auxiliary air solenoid valve compressor actuation
M9	Pierburg solenoid valve (for idle r.p.m.)
M10	Brake fluid adjusting valve
M11	ABS System main valve
M12	Boot lid opening solenoid
M13	Fuel filter cap opening solenoid
M14	Cruise Control actuator
M15	Emission control solenoid valve
M16	Over-boost solenoid valve
M17	Front right shock-absorber solenoid valve
M18	Front left shock-absorber solenoid valve
M19	Rear right shock-absorber solenoid valve
M20	Rear left shock-absorber solenoid valve
M21	Automatic transmission unit solenoid
M22	Four-wheel drive electromagnetic coupling

N: ELECTRONIC DEVICES - INTERMITTENCES - TIMERS

N1	Electronic ignition module
N1a	Electronic ignition module A
N1b	Electronic ignition module B
N2	Connector for Marelli module
N3	Capacitor for electronic ignition
N4	Connector for Bosch module
N5	Tachymetric switch device
N6	Pre-heating glow plug timer
N7	Trip Computer
N8	ALFA ROMEO Control
N9	Brake pad wear control unit

KEY

N: ELECTRONIC DEVICES - INTERMITTENCES - TIMERS (Continued)

N10 Roof lamp timer
 N11 Door-locking control unit
 N12 Headlight wiper timer
 N13 Road hazard and direction indicators intermittence
 N14 Electronic windscreen wiper intermittence
 N15 Electronic windscreen wiper intermittence and warning light control
 N16 Tachymetric control unit
 N17 Trip control unit for fuel flow
 N18 Electronic device for headlights flashing
 N19 Performance gauge control unit
 N20 Advance variation control unit
 N21 Power module
 N22 ALFA ROMEO Control control unit
 N23 Ignition control unit
 N24 Pulse converter
 N25 Rear fog-light device
 N26 Brake pad wear warning light intermittence device
 N27 ABS System control unit
 N28 ABS System brake fluid electric pump device
 N29 Diode holder connection
 N29a A diode connection
 N29b B diode holder connection
 N30 Two-tone hooter control unit
 N31 Fuel pre-heating device
 N32 Head-phone connection control unit
 N33 Differentiated rear window defrosting control unit
 N34 Control unit for pulse generator
 N35 Coding control unit
 N36 Interphone system control unit
 N37 Petrol vapour intake pump timer
 N38 Power window control unit
 N39 Cruise Control unit
 N40 DIM DIP electronic device
 N41 Lights on signalling control unit
 N42 Dimmer for door-locking actuated signalling LED
 N43 Automatic transmission locking/unlocking control unit
 N44 Rear lights control unit
 N45 Antitheft control unit
 N46 Shock-absorber electronic control unit
 N47 Accelerometer
 N48 Radiotelephone control unit
 N49 Aerial - Heated rear window control unit
 N50 Four-wheel drive control unit
 N51 Hydraulic group with ABS control unit
 N52 CROSS-OVER control unit (radio system)
 N53 Antijamming condenser radio boot panel 4.7 μ F
 N54 Right radio loudspeaker antijamming condenser 4.7 μ F
 N55 Left radio loudspeaker antijamming condenser 4.7 μ F
 N56 Supplementary fusebox radio antijamming condenser 22 μ F
 N57 Radio relay protection diode
 N58 Driver's seat memory control unit
 N59 Control unit
 N60 Sunroof control unit
 N61 Shock absorber control unit condenser
 N62 ABS system - longitudinal accelerometer
 N63 ABS system - transversal accelerometer
 N64 Instrument panel warning light timer
 N65 E.G.R. control unit
 N66 Brake light radio anti-interference condenser
 N67 Door lock remote control signal receiver

O: ANCILLARY EQUIPMENT

O1 Heated rear window

O2 Horn
 O3 Electrically-operated aerial
 O4 Car radio
 O5 Speaker
 O6 Cigar lighter
 O7 Rear cigar lighter
 O8 Two-tone hooter
 O9 Transceiver
 O10 Rear headphone
 O11 Siren
 O12 External loudspeaker-microphone
 O13 Internal loudspeaker-microphone
 O14 Driver's seat warming pad
 O15 Rear right seat warming pad
 O16 Rear left seat warming pad
 O17 Front right seat warming pad
 O18 Right door rear-view mirror defroster
 O19 Left door rear-view mirror defroster
 O20 External right microphone
 O21 External left microphone
 O22 Engine electric fan supplementary resistance
 O23 Antitheft siren
 O24 Radiotelephone
 O25 Windscreen defroster
 O26 Front left-hand seat warming pad
 O27 K.S.B. device
 O28 DIM-DIP resistance

P: ELECTRIC MOTORS

P1 Windscreen wiper motor
 P2 Engine cooling electric fan motor
 P3 Engine cooling electric fan electromagnetic drive
 P4 Headlight wiper motor
 P5 Front left seat adjustment motor
 P6 Front right backrest adjustment motor
 P7 Front left backrest adjustment motor
 P8 Motor for electric door rear-view mirror - left-side
 P9 Motor for electric door rear-view mirror - right-side
 P10 Front right door locking motor
 P11 Front left door locking motor
 P12 Rear right door locking motor
 P13 Rear left door locking motor
 P14 Front right power window motor
 P15 Front left power window motor
 P16 Rear right power window motor
 P17 Rear left power window motor
 P18a Main fuel electric pump
 P18b Auxiliary fuel electric pump
 P19 Windscreen washer pump
 P20 Headlight washer pump
 P21 Rear window wiper motor
 P22 Rear window washer electric pump motor
 P23 Supplementary engine cooling electric fan motor
 P24 Sunroof motor
 P25 Engine oil radiator electric fan
 P26 Petrol vapour intake electric pump motor
 P27 Windscreen wiper motor with control unit
 P28 Front right seat longitudinal adjusting motor
 P29 Front left seat longitudinal adjusting motor
 P30 Front right seat adjusting motor
 P32 Rear right seat motor
 P33 Rear left seat motor
 P34 Oil radiator electric fan - automatic transmission
 P35a Right-hand headlight adjustment motor
 P35b Left-hand headlight adjustment motor
 P36 Vehicle lift pump motor
 P37 Right-hand front seat rear tilt regulation motor
 P38 Left-hand front seat rear tilt regulation motor
 P39 Right-hand front seat front tilt regulation motor
 P40 Left-hand front seat front tilt regulation motor

KEY

P: ELECTRIC MOTORS (Continued)

- P41 Front right-hand seat lumbar support regulation
 P42 Front left-hand seat lumbar support regulation

Q: HEAT/VENT - AIR CONDITIONING SYSTEM

- Q1 Heater/ventilation electric fan
 Q2 Pneumatic push-button control for air conditioning
 Q3 Pneumatic push-button control for climatisation
 Q4 Heater/ventilation electric fan control
 Q5 Heater blower fan speed adjustment resistance
 Q6 Switch on flap for heater blower fan
 Q7 Fluid thermostat
 Q8 Electromagnetic coupling pressure switch
 Q9 Minimum pressure switch
 Q10 Maximum pressure switch
 Q11 Compressor electromagnetic coupling
 Q12 Thermoswitch exclusion of compressor electromagnetic coupling
 Q13 Supplementary conditioner fan
 Q14 Relay for supplementary conditioner fan and electromagnetic compressor coupling
 Q15 Heater/ventilation electric fan relay
 Q16 Relay for simultaneous control of engine cooling electric fan and supplementary electric fan
 Q17 Relay for simultaneous coupling and supplementary electric fan
 Q18 Heater
 Q19 Conditioner
 Q20 Min and max pressure switch (Trinary)
 Q21A Automatic control check unit
 Q21B Manual control check unit
 Q22 Electromagnetic coupling control relay
 Q23 Internal temperature sensor for climatisation
 Q24 External temperature sensor for climatisation
 Q25 Mixed air temperature sensor for climatisation
 Q26 Defrosting thermostat
 Q27 Air recirculation vent control motor
 Q28 Ventilation motor for internal temperature sensor
 Q29 Climatisation system branch point
 Q30 Air mixture and vent controls
 Q30A Air distribution motor to vents
 Q30B Cold/hot mixing motor
 Q31 Climatisation unit fan speed adjuster
 Q32 Climatisation auxiliary relay
 Q33 Passenger compartment internal temperature motor with sensor
 Q34 Conditioner temperature control potentiometer
 Q35 Free fuse for conditioning system
 Q36 Conditioning system earth
 Q37 Passenger compartment supplementary air conditioning fan
 Q38 Passenger compartment supplementary fan control for heating
 Q39 Air conditioning system wander fuse - 30A
 Q40 Air conditioning system wander fuse - 15A
 Q41 Air conditioning system relay and fuse unit
 Q42 Air conditioning fan delay device
 Q43 Air conditioning system wander fuse - 50A
 Q44 Water by-pass electronic actuator
 Q45 Electric by-pass cock control microswitches
 Q46 External/recirculation air intake electric actuator
 Q47 Dynamic air intake actuator control microswitches
 Q48 Air-to-floor electric actuator
 Q49 Air-to-floor electric actuator control microswitches
 Q50 Recirculation and 1st speed of electric fan microswitches
 Q51 Control potentiometer with switch
 Q52 Fan for right-hand condenser
 Q53 Fan for left-hand condenser
 Q54 Fan control relay for right-hand condenser

- Q55 Electric fan and compressor electromagnetic coupling simultaneous control relay for left-hand condenser
 Q56 Relay for heater/air conditioner
 Q57 Electric fan speed selector relay
 Q58 Electronic thermostat control unit
 Q59 Electronic thermostat temperature sensor

R: SAFETY DEVICES

- R1 Seat belt device
 R2 Catalytic converter temperature indicator
 R3 Thermocouple for catalytic converter temperature detection
 R4 Unfastened seat belt buzzer
 R5 Open door buzzer
 R6 Mileometer
 R7 Seat belt warning lamp
 R8 30,000 mile warning lamp
 R9 Push-button switch on seat belts
 R10 Catalytic converter maximum temperature warning light
 R11 Front left door switch for seat belt device
 R12a Right-side passive seat belt control unit
 R12b Left-side passive seat belt control unit
 R13a Right-side passive seat belt motor
 R13b Left-side passive seat belt motor
 R14a Right-side seat belt winder locking mechanism
 R14b Left-side seat belt winder locking mechanism
 R15 Passive seat belt-unfastened buzzer
 R16a Right-side passive seat belt warning light
 R16b Left-side passive seat belt warning light
 R17a Right-side passive seat belt-unfastened switch
 R17b Left-side passive seat belt-unfastened switch
 R18a Right-side passive seat belt switch set to position "A"
 R18b Left-side passive seat belt switch set to position "A"
 R19a Right-side passive seat belt switch set to position "B"
 R19b Left-side passive seat belt switch set to position "B"
 R20 AIR-BAG front - right sensor
 R21 AIR-BAG front - left sensor
 R22 AIR-BAG control unit
 R23 Steering wheel inflation module for AIR-BAG
 R24 Key-inserted and unfastened safety belt signalling buzzer
 R25 Safety belt inserted hook sensor

S: ELECTRONIC FUEL INJECTION

- S1 Injection control unit
 S2 Double relay
 S3 Electroinjectors
 S4 Cold start electroinjector
 S5 Air flow meter
 S6 Accelerator throttle body switch
 S7 Engine coolant temperature sensor
 S8 Thermo-time switch
 S9 Auxiliary air valve
 S10 Lambda probe
 S11 Motronic control unit
 S12 Motronic relay
 S12a Petrol pump Motronic relay
 S12b Motronic relay with diode
 S12c Timing variator Motronic relay
 S12d Auxiliary Motronic relay
 S13 Timing sensor
 S14 Rev sensor
 S15 Timing variator
 S16 Altitude air regulator
 S17 CEM control unit
 S17a CEM control unit white connector
 S17b CEM control unit black connector
 S18 Throttle angle sensor
 S19 Hall sensor

S: ELECTRONIC FUEL INJECTION (Continued)

S20	Deton sensor
S21	Throttle actuator
S22	Electroinjector terminal
S23	Electroinjector resistance
S24	Electroinjector terminal board
S25	Automatic transmission/manual transmission switch connector
S26	Injector system
S27	Lambda probe resistance
S28	Injection control relay
S29	Idle adjusting actuator
S30	Motronic control unit switch connector
S31	Rev and timing sensor
S32	Lambda probe coding connector
S33	Full load enrichment device
S34	Available
S35	Heated Lambda probe
S36	Free fuse for Auxilliary Motronic relay
S37	4x2 - 4x4 switching connector
S38	Sensor on throttle body with potentiometer
S39	Cylinder No. 1 recognition sensor
S40	Ignition/injection control unit
S41	Main relay
S42	Secondary relay
S43	Absolute pressure sensor
S44	Throttle angle potentiometer
S45	Lambda probe wander fuse
S46	Motronic power supply wander fuse
S47	Fuel pump wander fuse
S48	"CO" regulation potentiometer
S49	MP3.1 control unit switch connector for 1.5 IE and 1.7 IE engines

T: DIAGNOSIS

T1	Alfa Tester connector
T2	"Flashing code" diagnosis connector
T3	AIR-BAG diagnosis connector
T4	Diagnosis indicator light push-button
T5	Controlled damping suspension electric system diagnosis coupling